



Unique Quality · Unique Value · Unipoint

Temperature Control
NEW PRODUCT HIGHLIGHTS

2010 DEC. / NEWS.114

A decorative graphic consisting of several overlapping, curved, light-colored bands that sweep across the bottom half of the page, creating a sense of motion and depth.



Unique Quality · Unique Value · Unipoint

Dear Valued Customers,

Please find attached Unipoint "New Product Highlights" for Dec. 2010, featuring our newest additions for Temperature Control Line.

We would like to introduce to you our new units as CR-1210, CR-1253, CR-1301, CR-1302, EF-3S01A and EF-3S01C.

● **Replacing for Denso 10S family**

There are four numbers for this month for CR-1210 (10S20C), CR-1253 (10S17F), CR-1301(10S13C) and CR-1302(10S13C) available. We now have over 45 models for 10S type in total.

● **High Performance Fan Assembly**

There are two numbers, EF-3S01A and EF-3S01C available. Please refer to related information from the News.

You can find the detailed spec, cross reference numbers & applications from our Unipoint News #114. Also, all the data have been updated to our website catalog:

www.unipoint.com.tw

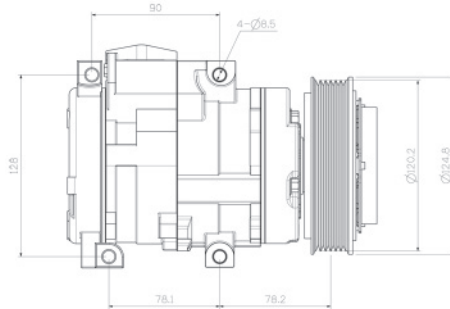
All these products are now ready for production & can be included in your new order.

Thank you for your business & support!

**Best Regards,
Unipoint Customer Service**

A/C COMPRESSOR **NEW**

CR-1210



Capacity	200
Groove	6 Groove
Product Type	10S20C
Pulley Dia	D120
Refrigerant	R134a
Voltage	12V

CROSS REFERENCE

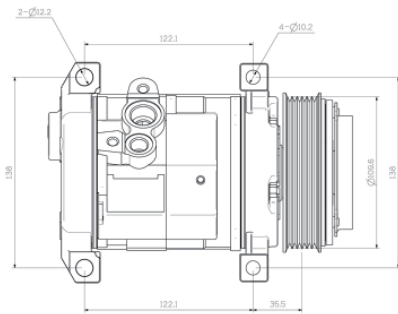
DENSO No.'S
447260-8770

TO FIT

TOYOTA	SIENNA	2004	2006
--------	--------	------	------

A/C COMPRESSOR **NEW**

CR-1253



Capacity	170
Groove	6 Groove
Product Type	10S17F
Pulley Dia	D110
Refrigerant	R134a
Voltage	12V

CROSS REFERENCE

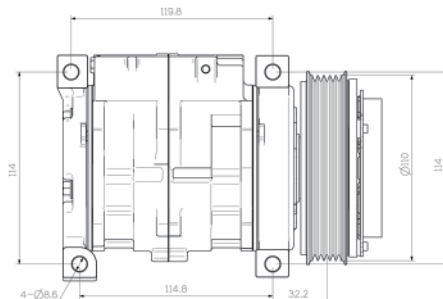
DENSO No.'S
447260-8960
DELCO No.'S
15-21178

TO FIT

CHEVY	EXPRESS	2004	2007
CHEVY	G SERIES FULLSIZE VAN	2004	2007
GMC	G SERIES FULLSIZE VAN	2004	2007
GMC	SAVANA	2004	2007

A/C COMPRESSOR **NEW**

CR-1301



Capacity	130
Groove	5 Groove
Product Type	10S13C
Pulley Dia	D110
Refrigerant	R134a
Voltage	12V

CROSS REFERENCE

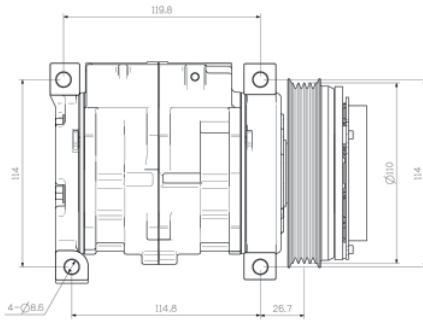
DENSO No.'S
447220-4580
9744728-458

TO FIT

SUZUKI	AERIO	2.0L	2002	2005
SUZUKI	AERIO	2.3L	2002	2005

A/C COMPRESSOR **NEW**

CR-1302



Capacity	130
Groove	4 Groove
Product Type	10S13C
Pulley Dia	D110
Refrigerant	R134a
Voltage	12V

CROSS REFERENCE

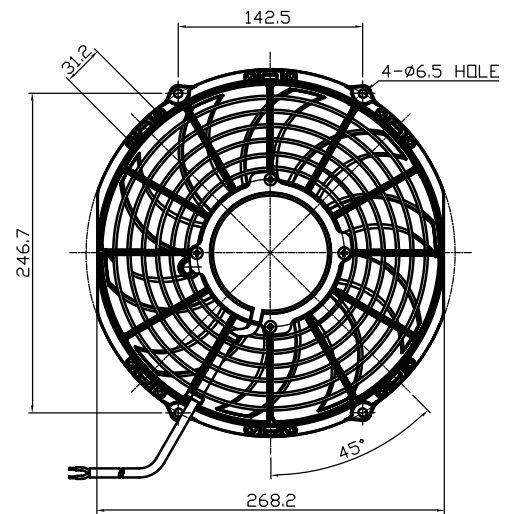
DENSO No.'S
447220-4140
447220-4573

TO FIT

SUZUKI	GRAND VITARA	2.5L	1999	2005
SUZUKI	GRAND VITARA	2.7L	1999	2005
SUZUKI	XL7		1999	2005

UNIVERSAL FAN ASSEMBLY

EF-3S01A/ EF-3S01C



P/N	Size	Voltage	Air Flow Direction	Air Flow (m3/h)	Air Flow (CFM)	Current Input (A)
EF-3S01A	255mm (10")	12V	Suction (Pull)	1506	888	9.0 ± 0.5A
EF-3S01C		24V	Suction (Pull)	1437	847	4.0 ± 0.3A